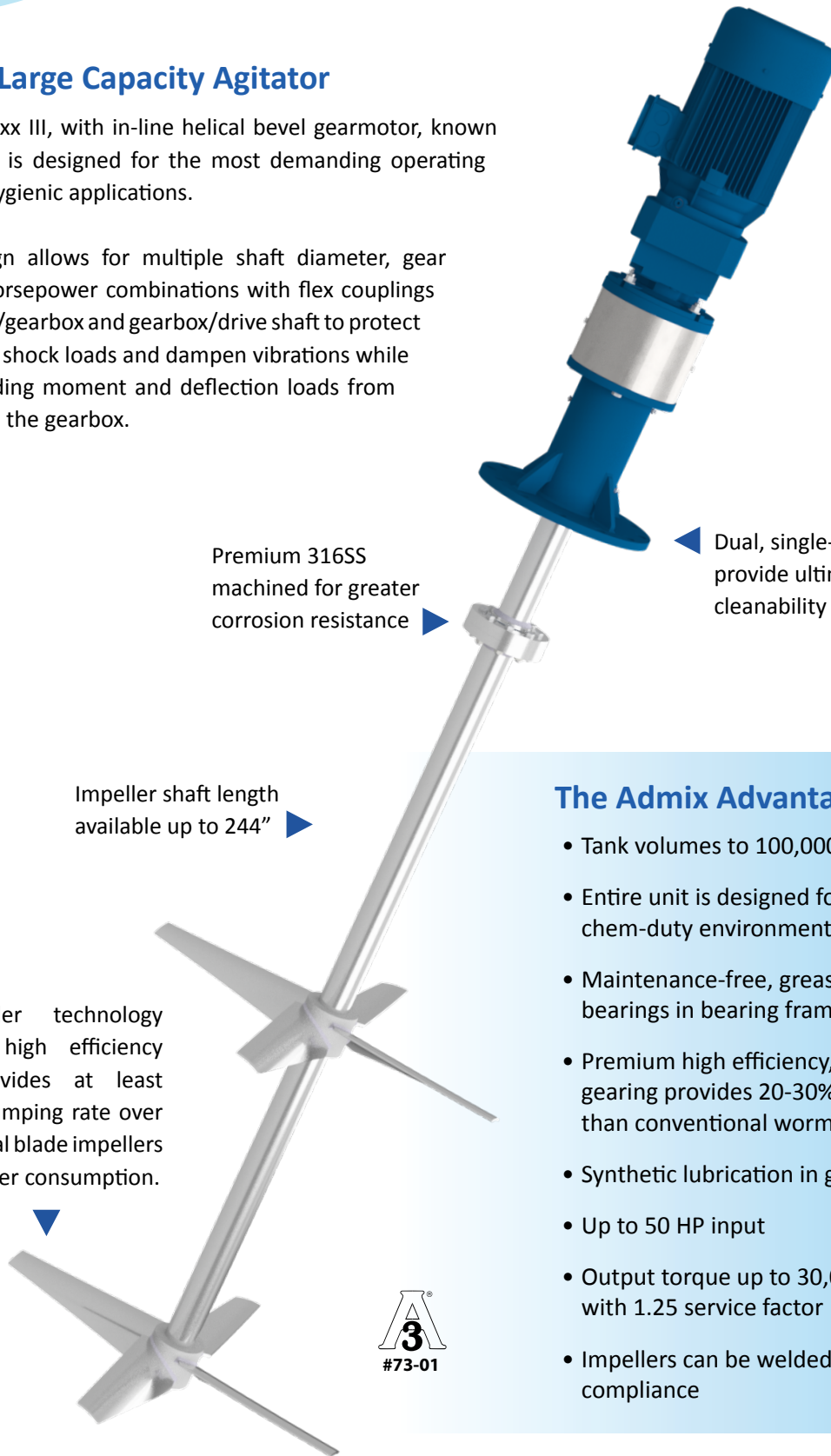


High Torque, Large Capacity Agitator

The robust Rotomaxx III, with in-line helical bevel gearmotor, known for their efficiency, is designed for the most demanding operating environments for hygienic applications.

The modular design allows for multiple shaft diameter, gear ratio, and motor horsepower combinations with flex couplings between the motor/gearbox and gearbox/drive shaft to protect the gear drive from shock loads and dampen vibrations while isolating shaft bending moment and deflection loads from the torque loads on the gearbox.



Premium 316SS machined for greater corrosion resistance

Dual, single-lip seals provide ultimate cleanability

Impeller shaft length available up to 244"

Jetfoil™ impeller technology and Rotofoil® high efficiency technology provides at least 200% greater pumping rate over conventional axial blade impellers at the same power consumption.

The Admix Advantage

- Tank volumes to 100,000+ gallons
- Entire unit is designed for industrial chem-duty environments
- Maintenance-free, greased-for-life, sealed bearings in bearing frame
- Premium high efficiency, ground helical bevel gearing provides 20-30% more efficient gearing than conventional worm gearing
- Synthetic lubrication in gear drives
- Up to 50 HP input
- Output torque up to 30,000 in-lbs with 1.25 service factor
- Impellers can be welded for 3-A sanitary compliance

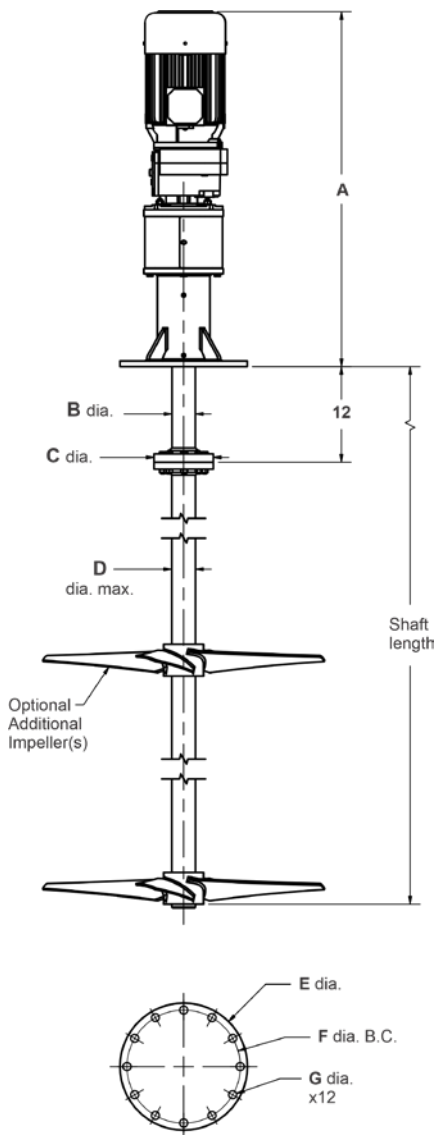


Rotomaxx III Specifications

The Rotomaxx III series of stainless steel mixers are available in three (3) basic configurations as shown below:

Sizing and Engineering Data

Mixer Model	300 RMAX	400 RMAX	500 RMAX
Output Speed (RPM)	13 - 311	12 - 240	12 - 240
HP Range	up to 10	up to 50	up to 50
Shaft Diameter	2.5" & 3.0"	3.5" & 4.0"	4.5" & 5.0"
Maximum Shaft Length	up to 144"	up to 200"	up to 260"
Impeller Diameter	up to 50"	up to 65"	up to 80"
Pumping Rate @ 1 cPs (GPM)	up to 54,000	up to 80,000	up to 125,000



Rotomaxx III Dimensions

	300 RMAX	400 RMAX	500 RMAX
A	45	53	61
B	3.0	4.0	5.0
C	7.5	8.5	10.5
D	3.0	4.0	5.0
E	16.0	19.0	21.0
F	14.25	17.0	18.75
G	1.0	1.0	1.13

Dimensions are in inches
A dimension will vary depending on motor HP

Features & Benefits

- Mounting for NEMA or IEC C-face/B5 Motors
- Flex couplings between the motor/gearbox and gearbox/drive shaft provide vibration damping and shock load protection to drive components.
- Three (3) waterproof pressure compensation vents allow air inside the gearbox and driveshaft bearing frame to expand and contract as temperatures inside and outside the agitator change and prevent moisture and contaminants from getting in.
- All non-rotating components are sealed with o-rings for greater protection
- Impeller shaft speeds from 12 to 311 RPM
- 2.5" to 5.0" diameter impeller shaft
- Solid & hollow Impeller shaft available
- Stainless steel wetted parts
- Mechanical seals are available
- 3-A compliant seal pedestals are available