



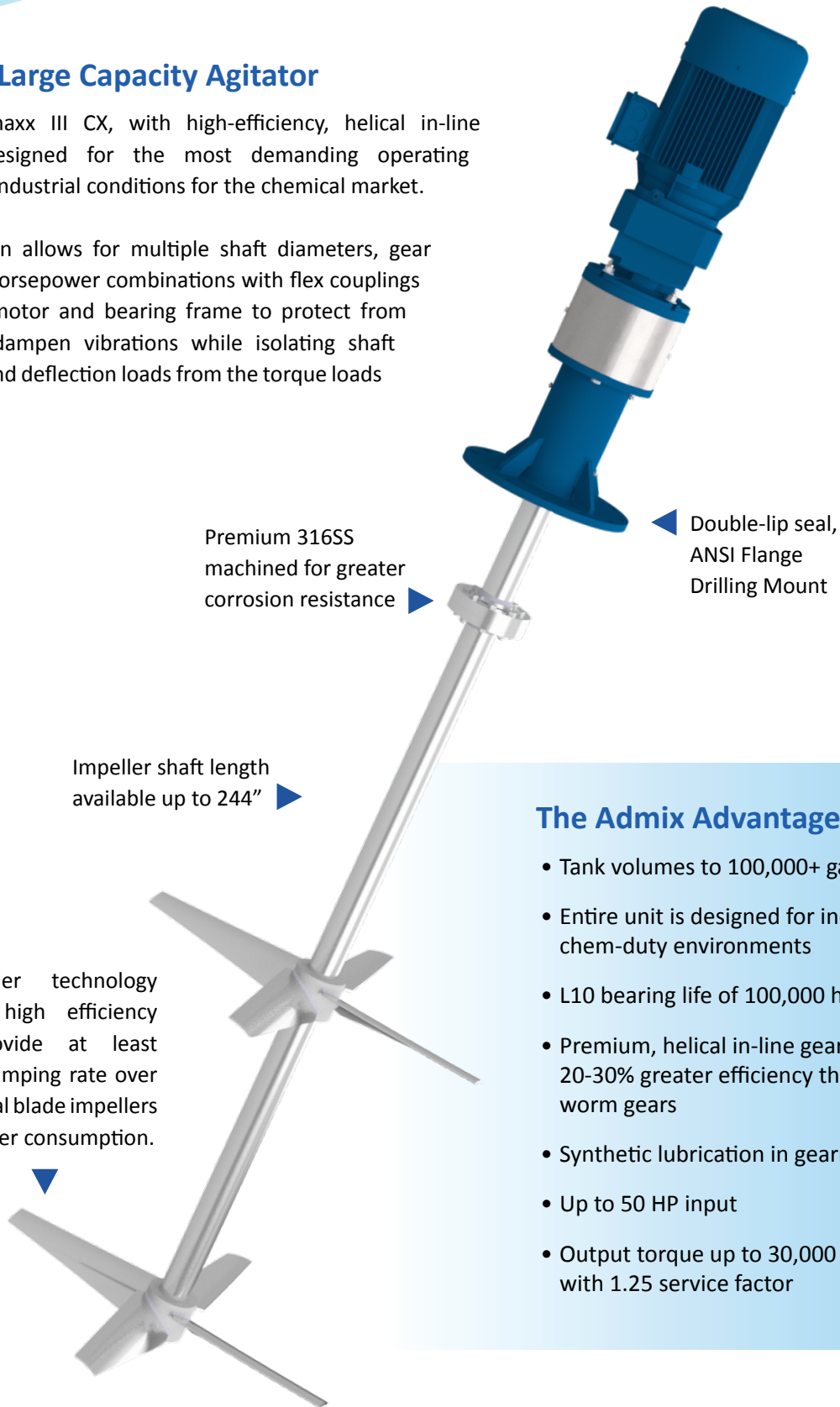
# Rotomaxx™ III CX

*High Efficiency, Slow Speed Agitator*

## High Torque, Large Capacity Agitator

The robust Rotomaxx III CX, with high-efficiency, helical in-line gearmotors, is designed for the most demanding operating environments and industrial conditions for the chemical market.

The modular design allows for multiple shaft diameters, gear ratios, and motor horsepower combinations with flex couplings between the gearmotor and bearing frame to protect from shock loads and dampen vibrations while isolating shaft bending moment and deflection loads from the torque loads on the drive.



Premium 316SS  
machined for greater  
corrosion resistance

Double-lip seal,  
ANSI Flange  
Drilling Mount

Impeller shaft length  
available up to 244"

Jetfoil™ impeller technology and Rotofoil® high efficiency technology provide at least 200% greater pumping rate over conventional axial blade impellers at the same power consumption.

## The Admix Advantage

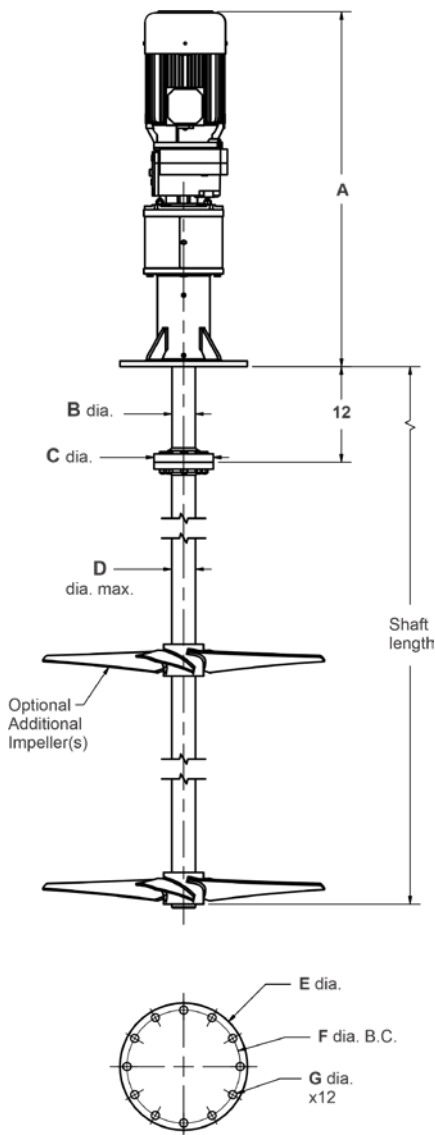
- Tank volumes to 100,000+ gallons
- Entire unit is designed for industrial chem-duty environments
- L10 bearing life of 100,000 hours
- Premium, helical in-line gearmotors provide 20-30% greater efficiency than conventional worm gears
- Synthetic lubrication in gearmotors
- Up to 50 HP input
- Output torque up to 30,000 in-lbs with 1.25 service factor

## Rotomaxx III CX Specifications

The Rotomaxx III CX series of stainless steel mixers are available in three (3) basic configurations as shown below:

### Sizing and Engineering Data

Mixer Model	300 RMAX	400 RMAX	500 RMAX
Output Speed (RPM)	13 - 311	12 - 240	12 - 240
HP Range	Up to 10	Up to 50	Up to 50
Shaft Diameter	2.5" & 3.0"	3.5" & 4.0"	4.5" & 5.0"
Maximum Shaft Length	up to 144"	up to 200"	up to 260"
Impeller Diameter	up to 50"	up to 65"	up to 80"
Pumping Rate @ 1 cPs (GPM)	up to 54,000	up to 80,000	up to 125,000



## Features & Benefits

- Integral gearmotors
- Flex couplings between the gearmotor and bearing frame provide vibration dampening and shock load protection for the drive
- Impeller shaft speeds from 12 to 311 RPM
- 2.5" to 5.0" diameter impeller shaft
- Solid & hollow Impeller shafts are available
- Stainless & carbon steel wetted parts
- Mechanical seals are available upon request
- Permanent laser-marked nameplate

### Rotomaxx III CX Dimensions

	300 RMAX	400 RMAX	500 RMAX
A	45	53	61
B	3.0	4.0	5.0
C	7.5	8.5	10.5
D	3.0	4.0	5.0
E	16.0	19.0	21.0
F	14.25	17.0	18.75
G	1.0	1.0	1.13

Dimensions are in inches  
A dimension will vary depending on motor HP